



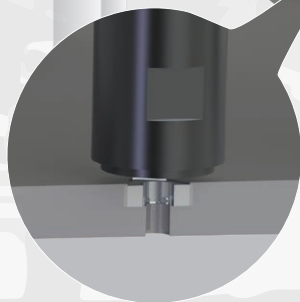
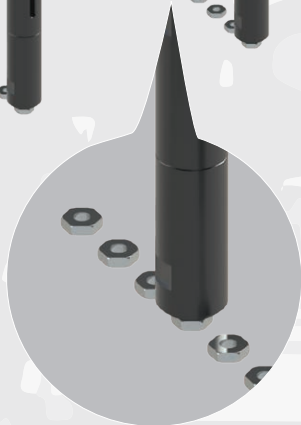
MAGNETIC GRIPPER MAG



Designed to handle small ferrous parts as like nuts, screws, springs, this small and fully compatible device with all plastic range brackets, the Mag 20 is the perfect mix of precision, lightweight and multipurpose unit.

	Force	Time to release	Weight
MAG20	5N	0.05	90g

**LOADING STATION
INSERTS PICKING**



**MOLD CAVITY
INSERTS PLACING**

