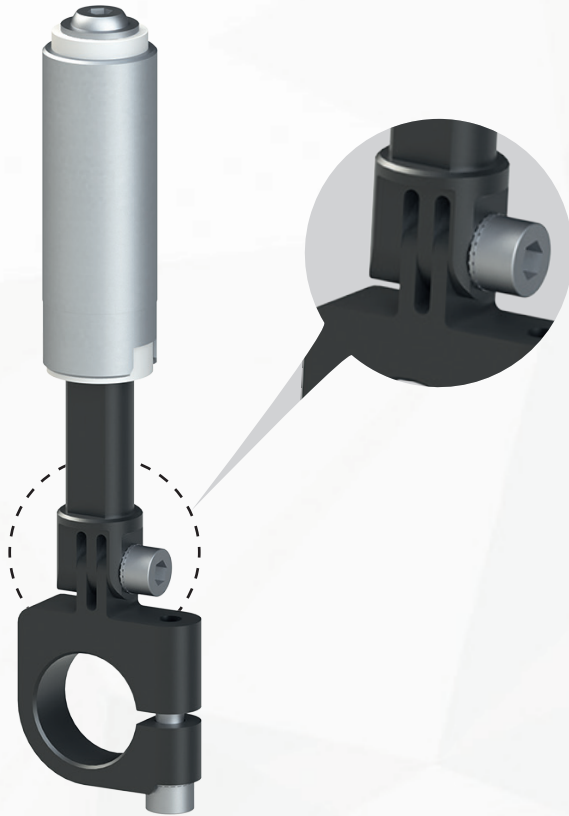


LEVEL COMPENSATORS



COMB JOINT ADJUSTMENT FOR A STIFFER ASSEMBLY

- It is possible to set continuously the angle between 0° and +/-90°.
- External air feeding.
- Body and rod in anodized aluminum.
- Non-rotative rod.
- FDA-H1 food-grade grease.

- Non-rotative rod with high load capability.
- Pressure range: -1 ÷ 8 bar.



VSE



VSET



UNIVERSAL MANIFOLD BLOCKS MFI SERIES

- Suitable for all EMB/EMF beams
- Adjustable in any angle
- Integrated air fittings
- Included last-minute nut
- Mounted in all positions and without limits



	MFI-A379	MFI-A380	MFI-A381	MFI-A384
Weight	60 g	70 g	110g	90g

