

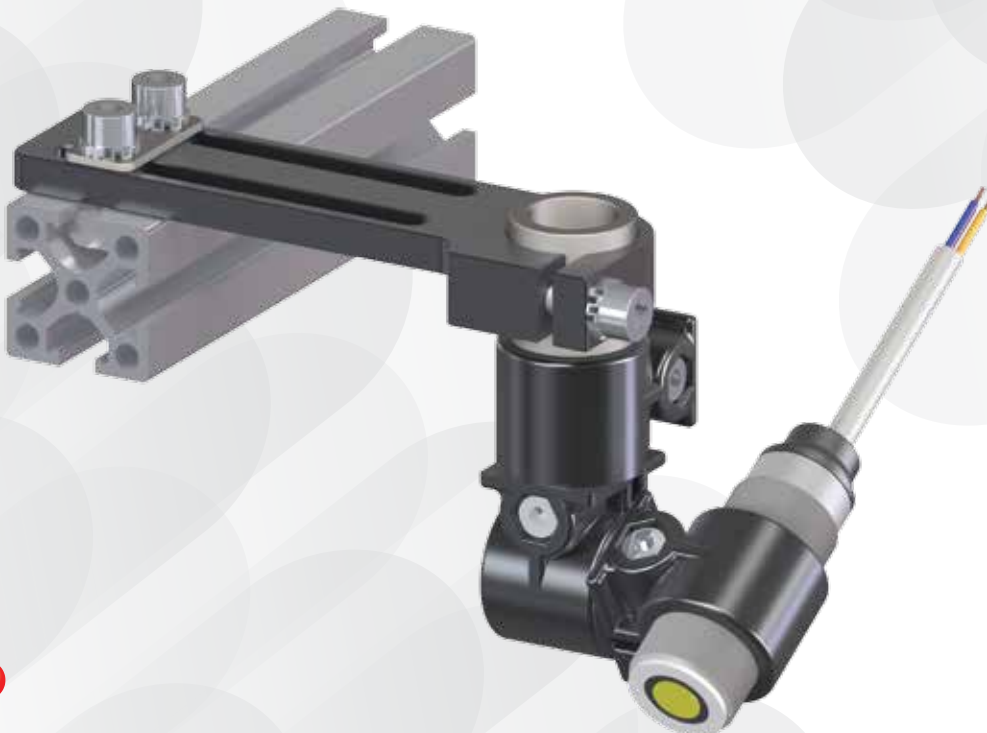
## ULTRASONIC SENSOR



- M18x1 mm ultrasonic sensors
- PNP/NPN digital output with NO or NC programmable logic

40-300 mm sensing range with programmable point via External Teach

- M12, 4 pin connector output
- Short and lightweight plastic body
- Lock nuts and washers included



# ULTRASONIC SENSOR

## SPECIFICATIONS

	SU9N2-G PNP	SU9M2-G NPN
Maximum sensing distance	300 mm	
Minimum sensing distance (blind zone)	40 mm	
Beam angle	±10°	
Response time (digital output)	13 ms	
Temperature range	-20°+60°C	
Temperature compensation	yes	
Operating voltage	+15÷30 Vcc	
Output voltage drop	2.2 V max. @ (IL=100 mA)	
No-Load supply	≤ 40 mA	
Maximum load current (digital output)	100 mA	
Adjustment set point	External Teach-in	
Time delay before availability (digital output)	≤ 300 ms	
Protection degree	IP67	
Tightening torque	1 Nm	
Weight (plug exit)	15 g (plug exit)	

