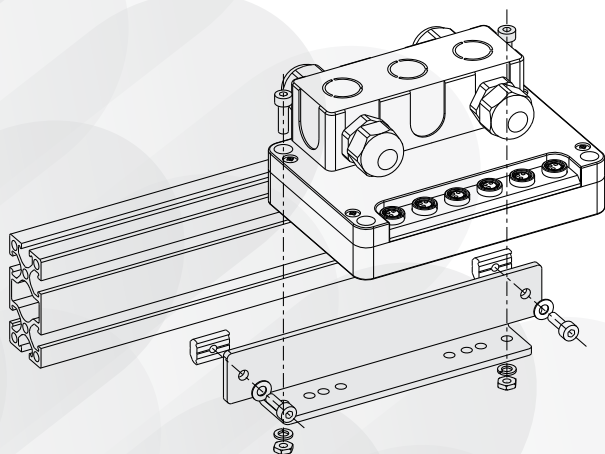
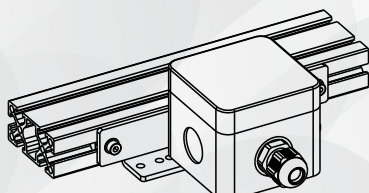


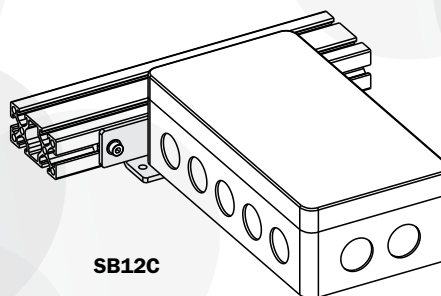
SB6B: TERMINAL BOX WITH DIRECT CONNECTION



SBA04



SB2C

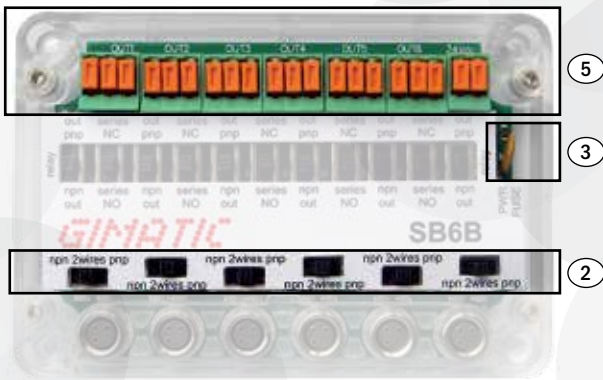


SB12C



- Used to connect the sensors located on the End-of-Arm Tooling (EOAT)
- Various types of sensors can be connected, magnetic, inductive, mechanical, photoelectric, capacitive, ultrasonic, etc...
- Direct connection with M8x1 connectors ①
- PNP/NPN/2-wire inputs selectable by sliding switches ②
- Transparent PA body to increase inputs LED visibility
- Short circuit protection with auto-fuse and RED led indicator ③
- PNP/NPN/relay outputs selectable by sliding switches ④

- Easy push terminals for outputs, no tools required ⑤
- Inputs signals from PNP/NPN/2-wire can be converted to PNP/NPN/relay output
- Single or in series outputs can be set as Normally Open or Normally Closed
- Low profile for perfect integration into EOAT's structures
- Low weight to reduce the structure's weight
- Fastening kit for Gimatic profiles included
- Easy setting system with Gimatic silkscreen
- O-Ring for cover screws
- Output wiring PG9 strain relief included
- Optional M8 male wiring connectors



OPTIONAL M8 MALE WIRING CONNECTORS

	CFGM800300	CMGM800300
	female	male
Weight	11 g	11 g

Optional M8 male wiring connectors

In case of sensors with cable output, the cable can be cut to size and a M8 male wiring connector can be fitted with screw terminals.

