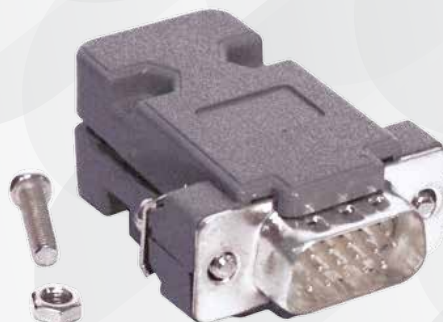


CEQC-AC / CEQC-BC CABLING CONNECTORS



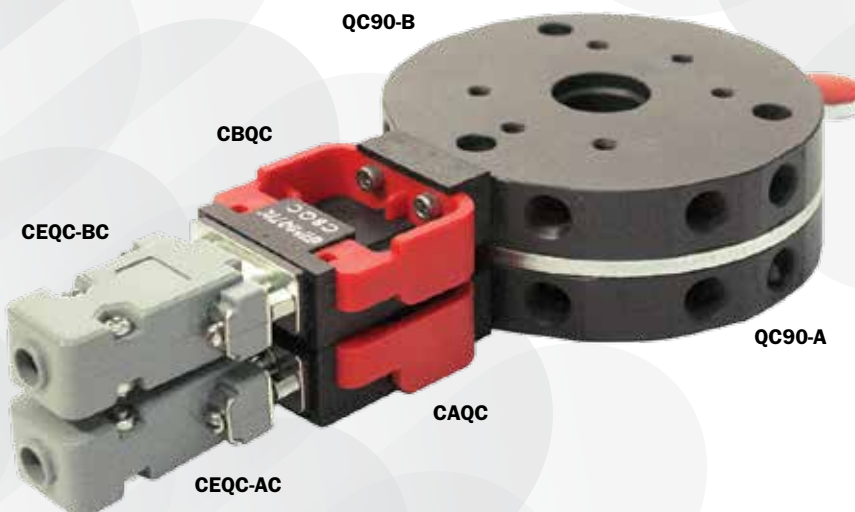
CEQC-AC



CEQC-BC



- Male and female cabling connectors are supplied separately



QC90-B

CBQC

CEQC-BC

QC90-A

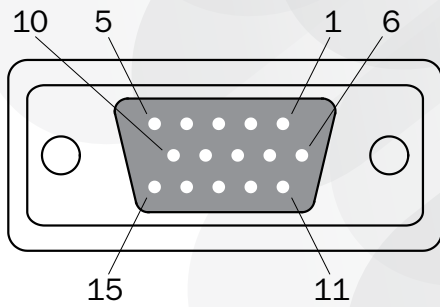
CAQC

CEQC-AC

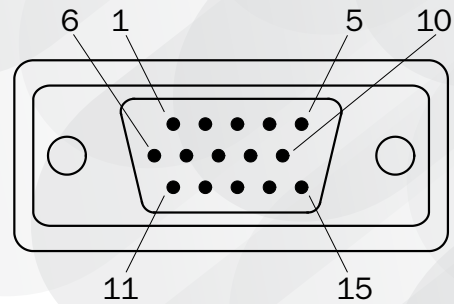


CEQC-AC / CEQC-BC CABLING CONNECTORS

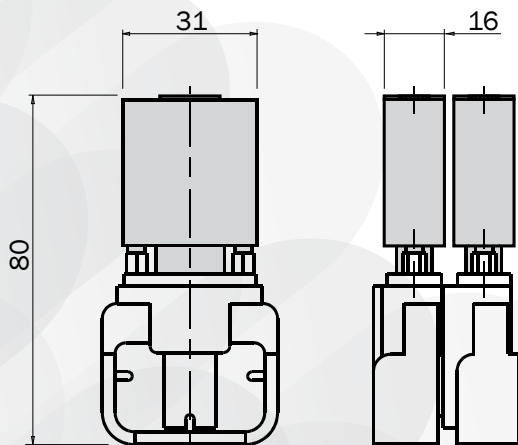
SPECIFICATIONS



CEQC-AC



CEQC-BC



	CEQC-AC	CEQC-BC
I/O connection type	15 pins D-SUB - VGA type	
Contacts	Copper	
Insulation	Polyester	
Temperature range	-20°C ÷ +80°C	
Voltage range	0 ÷ 300 V	
Max current	3A	